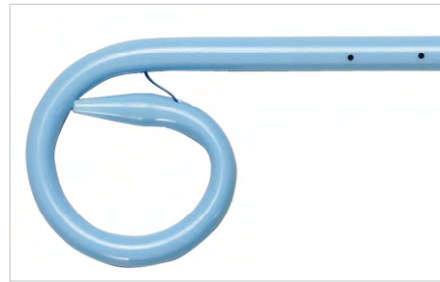
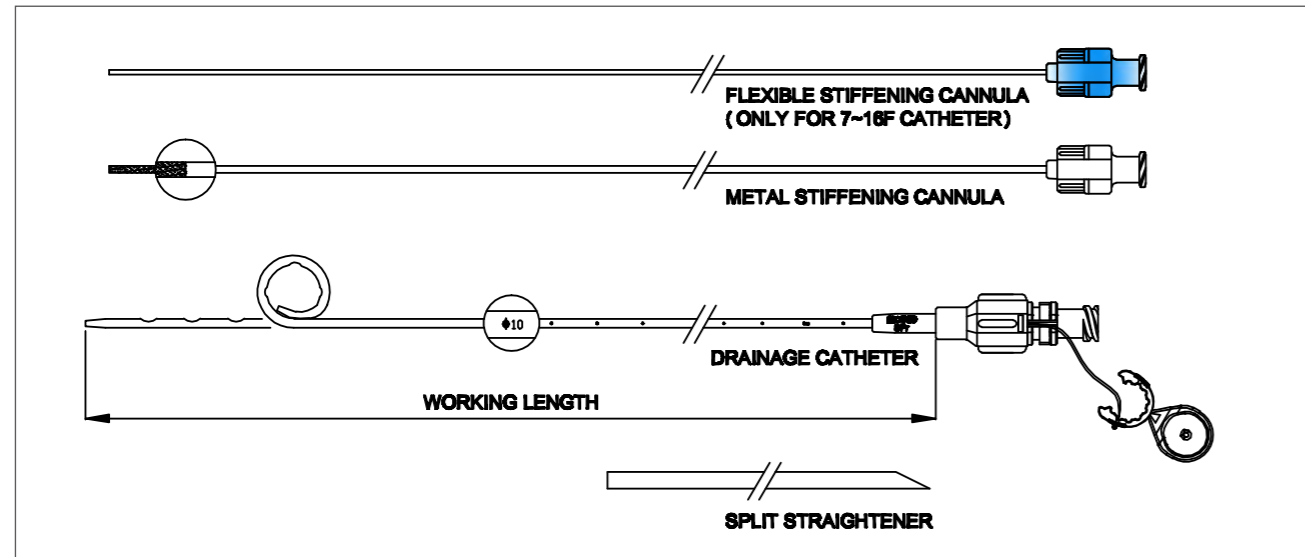


DRAINAGE CATHETER SET-SELDINGER



- Used for nephrostomy, abscess, and other multipurpose drainage.
- Catheter placement is performed using Seldinger technique.
- The safety string lock system provides strong fixation of the pigtail.
- Hydrophilic coating decreased friction of the distal catheter facilitates easy insertion.
- Large oval drainage holes increase drainage capability.
- Supplied sterile in peel-open packages.
- Intended for one-time use.

CLOSE LOOP PIGTAIL TYPE (BT-PDS-series(CL))



With SAFETY STRING LOCK

Order Number	Size	Accepts Guide Wire Dia.	Working Length	Order Number	Size	Accepts Guide Wire Dia.
BT-PDS-0620-W(CL)	6F	.035 inch (0.89mm)	19 cm (XX=20)	BT-PDS-1020-W(CL)	10F	.038 inch (0.97mm)
BT-PDS-0625-W(CL)	6F	.035 inch (0.89mm)	24 cm (XX=25)	BT-PDS-1025-W(CL)	10F	.038 inch (0.97mm)
BT-PDS-0630-W(CL)	6F	.035 inch (0.89mm)	29 cm (XX=30)	BT-PDS-1030-W(CL)	10F	.038 inch (0.97mm)
BT-PDS-0635-W(CL)	6F	.035 inch (0.89mm)	34 cm (XX=35)	BT-PDS-1035-W(CL)	10F	.038 inch (0.97mm)
BT-PDS-0640-W(CL)	6F	.035 inch (0.89mm)	39 cm (XX=40)	BT-PDS-1040-W(CL)	10F	.038 inch (0.97mm)
BT-PDS-0645-W(CL)	6F	.035 inch (0.89mm)	44 cm (XX=45)	BT-PDS-1045-W(CL)	10F	.038 inch (0.97mm)
BT-PDS-0650-W(CL)	6F	.035 inch (0.89mm)	49 cm (XX=50)	BT-PDS-1050-W(CL)	10F	.038 inch (0.97mm)
BT-PDS-0720-W(CL)	7F	.035 inch (0.89mm)	19 cm (XX=20)	BT-PDS-1220-W(CL)	12F	.038 inch (0.97mm)
BT-PDS-0725-W(CL)	7F	.035 inch (0.89mm)	24 cm (XX=25)	BT-PDS-1225-W(CL)	12F	.038 inch (0.97mm)
BT-PDS-0730-W(CL)	7F	.035 inch (0.89mm)	29 cm (XX=30)	BT-PDS-1230-W(CL)	12F	.038 inch (0.97mm)
BT-PDS-0735-W(CL)	7F	.035 inch (0.89mm)	34 cm (XX=35)	BT-PDS-1235-W(CL)	12F	.038 inch (0.97mm)
BT-PDS-0740-W(CL)	7F	.035 inch (0.89mm)	39 cm (XX=40)	BT-PDS-1240-W(CL)	12F	.038 inch (0.97mm)
BT-PDS-0745-W(CL)	7F	.035 inch (0.89mm)	44 cm (XX=45)	BT-PDS-1245-W(CL)	12F	.038 inch (0.97mm)
BT-PDS-0750-W(CL)	7F	.035 inch (0.89mm)	49 cm (XX=50)	BT-PDS-1250-W(CL)	12F	.038 inch (0.97mm)
BT-PDS-0820-W(CL)	8F	.038 inch (0.97mm)	19 cm (XX=20)	BT-PDS-1420-W(CL)	14F	.038 inch (0.97mm)
BT-PDS-0825-W(CL)	8F	.038 inch (0.97mm)	24 cm (XX=25)	BT-PDS-1425-W(CL)	14F	.038 inch (0.97mm)
BT-PDS-0830-W(CL)	8F	.038 inch (0.97mm)	29 cm (XX=30)	BT-PDS-1430-W(CL)	14F	.038 inch (0.97mm)
BT-PDS-0835-W(CL)	8F	.038 inch (0.97mm)	34 cm (XX=35)	BT-PDS-1435-W(CL)	14F	.038 inch (0.97mm)
BT-PDS-0840-W(CL)	8F	.038 inch (0.97mm)	39 cm (XX=40)	BT-PDS-1440-W(CL)	14F	.038 inch (0.97mm)
BT-PDS-0845-W(CL)	8F	.038 inch (0.97mm)	44 cm (XX=45)	BT-PDS-1445-W(CL)	14F	.038 inch (0.97mm)
BT-PDS-0850-W(CL)	8F	.038 inch (0.97mm)	49 cm (XX=50)	BT-PDS-1450-W(CL)	14F	.038 inch (0.97mm)
BT-PDS-0920-W(CL)	9F	.038 inch (0.97mm)	19 cm (XX=20)	BT-PDS-1620-W(CL)	16F	.038 inch (0.97mm)
BT-PDS-0925-W(CL)	9F	.038 inch (0.97mm)	24 cm (XX=25)	BT-PDS-1625-W(CL)	16F	.038 inch (0.97mm)
BT-PDS-0930-W(CL)	9F	.038 inch (0.97mm)	29 cm (XX=30)	BT-PDS-1630-W(CL)	16F	.038 inch (0.97mm)
BT-PDS-0935-W(CL)	9F	.038 inch (0.97mm)	34 cm (XX=35)	BT-PDS-1635-W(CL)	16F	.038 inch (0.97mm)
BT-PDS-0940-W(CL)	9F	.038 inch (0.97mm)	39 cm (XX=40)	BT-PDS-1640-W(CL)	16F	.038 inch (0.97mm)
BT-PDS-0945-W(CL)	9F	.038 inch (0.97mm)	44 cm (XX=45)	BT-PDS-1645-W(CL)	16F	.038 inch (0.97mm)
BT-PDS-0950-W(CL)	9F	.038 inch (0.97mm)	49 cm (XX=50)	BT-PDS-1650-W(CL)	16F	.038 inch (0.97mm)

Without SAFETY STRING LOCK

Order Number	Size	Accepts Guide Wire Dia.	Working Length	Order Number	Size	Accepts Guide Wire Dia.
BT-PDS-0520(CL)	5F	.035 inch (0.89mm)	19 cm (XX=20)	BT-PDS-1020(CL)	10F	.038 inch (0.97mm)
BT-PDS-0525(CL)	5F	.035 inch (0.89mm)	24 cm (XX=25)	BT-PDS-1025(CL)	10F	.038 inch (0.97mm)
BT-PDS-0530(CL)	5F	.035 inch (0.89mm)	29 cm (XX=30)	BT-PDS-1030(CL)	10F	.038 inch (0.97mm)
BT-PDS-0535(CL)	5F	.035 inch (0.89mm)	34 cm (XX=35)	BT-PDS-1035(CL)	10F	.038 inch (0.97mm)
BT-PDS-0540(CL)	5F	.035 inch (0.89mm)	39 cm (XX=40)	BT-PDS-1040(CL)	10F	.038 inch (0.97mm)
BT-PDS-0545(CL)	5F	.035 inch (0.89mm)	44 cm (XX=45)	BT-PDS-1045(CL)	10F	.038 inch (0.97mm)
BT-PDS-0550(CL)	5F	.035 inch (0.89mm)	49 cm (XX=50)	BT-PDS-1050(CL)	10F	.038 inch (0.97mm)
BT-PDS-0620(CL)	6F	.035 inch (0.89mm)	19 cm (XX=20)	BT-PDS-1220(CL)	12F	.038 inch (0.97mm)
BT-PDS-0625(CL)	6F	.035 inch (0.89mm)	24 cm (XX=25)	BT-PDS-1225(CL)	12F	.038 inch (0.97mm)
BT-PDS-0630(CL)	6F	.035 inch (0.89mm)	29 cm (XX=30)	BT-PDS-1230(CL)	12F	.038 inch (0.97mm)
BT-PDS-0635(CL)	6F	.035 inch (0.89mm)	34 cm (XX=35)	BT-PDS-1235(CL)	12F	.038 inch (0.97mm)
BT-PDS-0640(CL)	6F	.035 inch (0.89mm)	39 cm (XX=40)	BT-PDS-1240(CL)	12F	.038 inch (0.97mm)
BT-PDS-0645(CL)	6F	.035 inch (0.89mm)	44 cm (XX=45)	BT-PDS-1245(CL)	12F	.038 inch (0.97mm)
BT-PDS-0650(CL)	6F	.035 inch (0.89mm)	49 cm (XX=50)	BT-PDS-1250(CL)	12F	.038 inch (0.97mm)
BT-PDS-0720(CL)	7F	.035 inch (0.89mm)	19 cm (XX=20)	BT-PDS-1420(CL)	14F	.038 inch (0.97mm)
BT-PDS-0725(CL)	7F	.035 inch (0.89mm)	24 cm (XX=25)	BT-PDS-1425(CL)	14F	.038 inch (0.97mm)
BT-PDS-0730(CL)	7F	.035 inch (0.89mm)	29 cm (XX=30)	BT-PDS-1430(CL)	14F	.038 inch (0.97mm)
BT-PDS-0735(CL)	7F	.035 inch (0.89mm)	34 cm (XX=35)	BT-PDS-1435(CL)	14F	.038 inch (0.97mm)
BT-PDS-0740(CL)	7F	.035 inch (0.89mm)	39 cm (XX=40)	BT-PDS-1440(CL)	14F	.038 inch (0.97mm)
BT-PDS-0745(CL)	7F	.035 inch (0.89mm)	44 cm (XX=45)	BT-PDS-1445(CL)	14F	.038 inch (0.97mm)
BT-PDS-0750(CL)	7F	.035 inch (0.89mm)	49 cm (XX=50)	BT-PDS-1450(CL)	14F	.038 inch (0.97mm)
BT-PDS-0820(CL)	8F	.038 inch (0.97mm)	19 cm (XX=20)	BT-PDS-1620(CL)	16F	.038 inch (0.97mm)
BT-PDS-0825(CL)	8F	.038 inch (0.97mm)	24 cm (XX=25)	BT-PDS-1625(CL)	16F	.038 inch (0.97mm)
BT-PDS-0830(CL)	8F	.038 inch (0.97mm)	29 cm (XX=30)	BT-PDS-1630(CL)	16F	.038 inch (0.97mm)
BT-PDS-0835(CL)	8F	.038 inch (0.97mm)	34 cm (XX=35)	BT-PDS-1635(CL)	16F	.038 inch (0.97mm)
BT-PDS-0840(CL)	8F	.038 inch (0.97mm)	39 cm (XX=40)	BT-PDS-1640(CL)	16F	.038 inch (0.97mm)
BT-PDS-0845(CL)	8F	.038 inch (0.97mm)	44 cm (XX=45)	BT-PDS-1645(CL)	16F	.038 inch (0.97mm)
BT-PDS-0850(CL)	8F	.038 inch (0.97mm)	49 cm (XX=50)	BT-PDS-1650(CL)	16F	.038 inch (0.97mm)
BT-PDS-0920(CL)	9F	.038 inch (0.97mm)	19 cm (XX=20)			
BT-PDS-0925(CL)	9F	.038 inch (0.97mm)	24 cm (XX=25)			
BT-PDS-0930(CL)	9F	.038 inch (0.97mm)	29 cm (XX=30)			
BT-PDS-0935(CL)	9F	.038 inch (0.97mm)	34 cm (XX=35)			
BT-PDS-0940(CL)	9F	.038 inch (0.97mm)	39 cm (XX=40)			
BT-PDS-0945(CL)	9F	.038 inch (0.97mm)	44 cm (XX=45)			
BT-PDS-0950(CL)	9F	.038 inch (0.97mm)	49 cm (XX=50)			