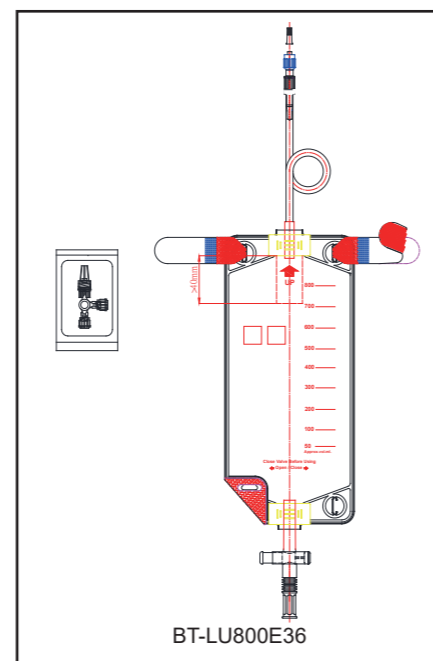
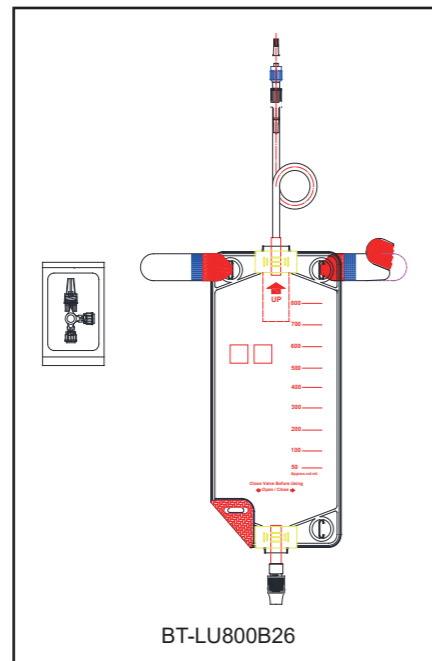
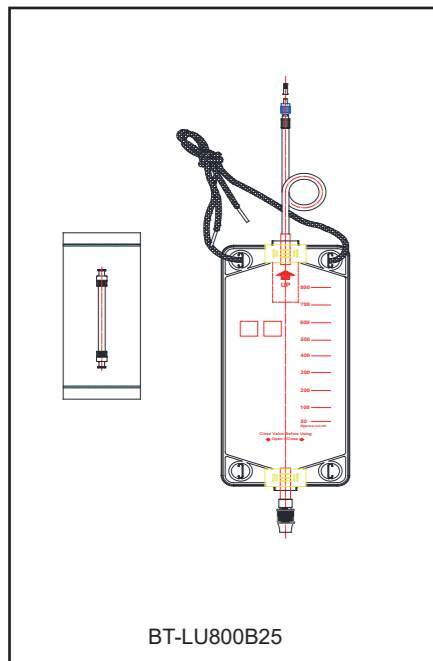
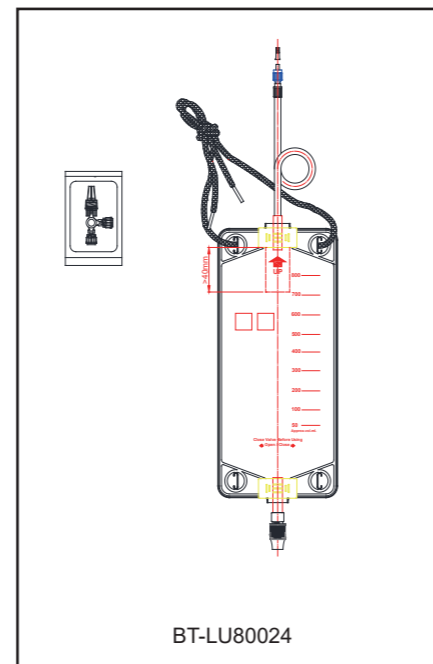
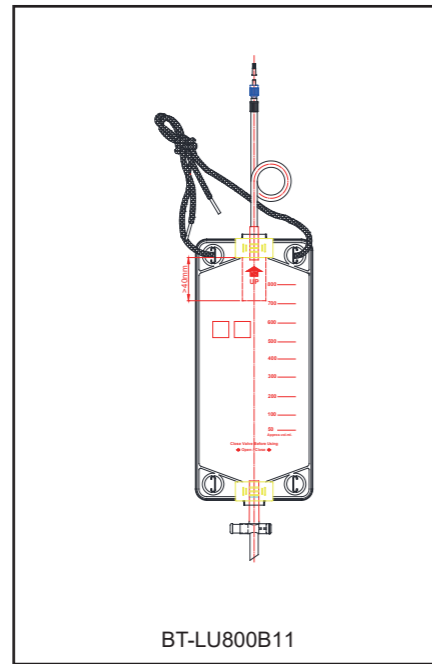
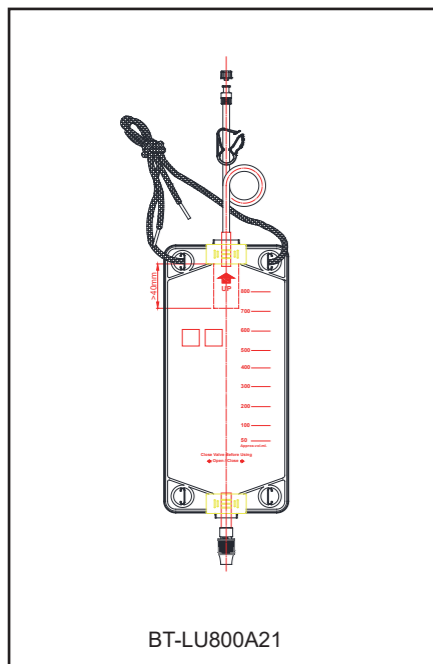


CATALOG NUMBER CODING				
BT-	A	B	C	D
Product	Type	Connector of Extension Tube	Drain Valve	Fixation Strap and Belt
Catalog Numbers Beginning with "BT-" = Bioteque	LU=Drainage Bag	A=Drainage Connector B=Rotating Male Luer Lock Adapter C=Female Luer Lock Adapter D=Olive Female E=Rotating Male Luer Lock Adapter+Male Luer Lock Adapter	1 = T-Valve 2 = Urine Drainage Valve 3=Drainage Adapter +T-Valve 4=Female Luer Lock Adapter	0=N/A 1=Shoe Lace 2=Elastic Cloth Belt 3=Elastic Cloth Belt(Velcro)



Our Sterile Medical Nutrition Gravity Enteral Feeding Bag and drainage bags are available in multiple configurations. Find out more with our sales representative.



Drainage bag

Durable single use drainage bags feature durable construction for orodor containment, leak resistance and an anti-reflux drip chamber to reduce reflux. Clothing clamp on the tube prevents the tube twisting or dragging on the floor. The accessible port design allows for even filling and draining and an anti-reflux drip chamber to reduce

Feeding bag

Tube Feeding Using Gravity. Feeding tube utilizes cone tip connection twist. Rigid neck for easy filling and handling. Strong, dependable handling ring. Easy to read Graduations.

CODING

Item No.	Capacity
FB-600NP	600 CC
FB-1200NP	1200 CC

